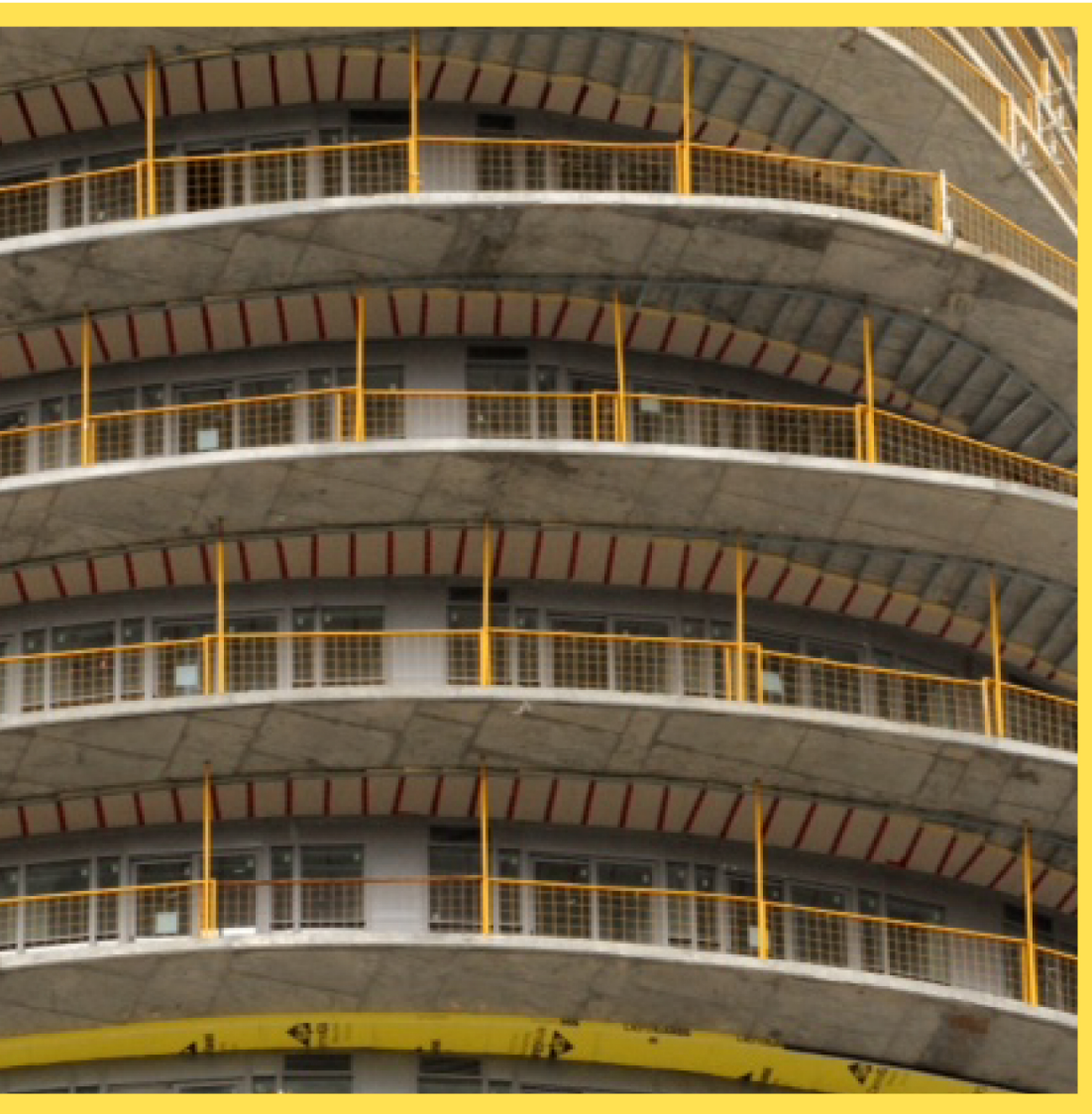




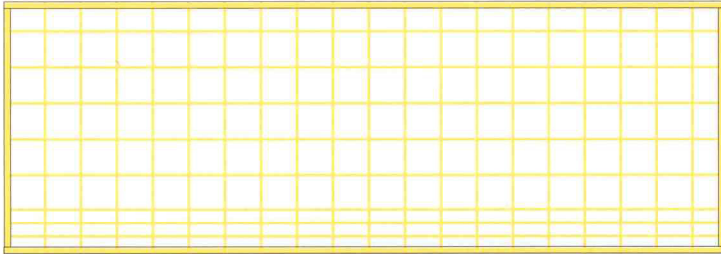
SKYWAY "SAFE-TEE" FENCE & POST SYSTEM



Fast and efficient safety fence without the costly installation and waste of lumber. Rugged, long lasting and secure, Skyway Safe – Tee Fence meets all local and national safety codes for use throughout Canada.



SKYWAY "SAFE-TEE" FENCE & POST SYSTEM



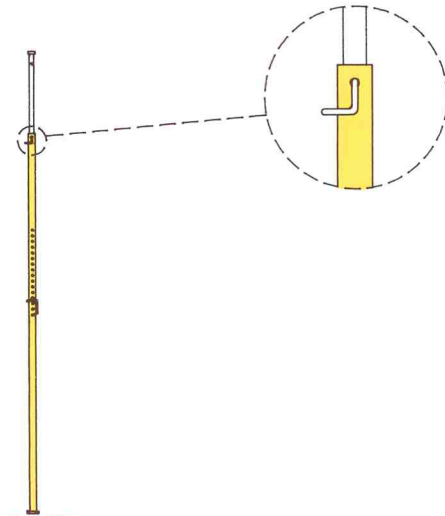
FENCE

The Skyway Safe-Tee fence panel is full guard rail height (42") for added protection, and is available in two lengths 10'1" and 5'7".

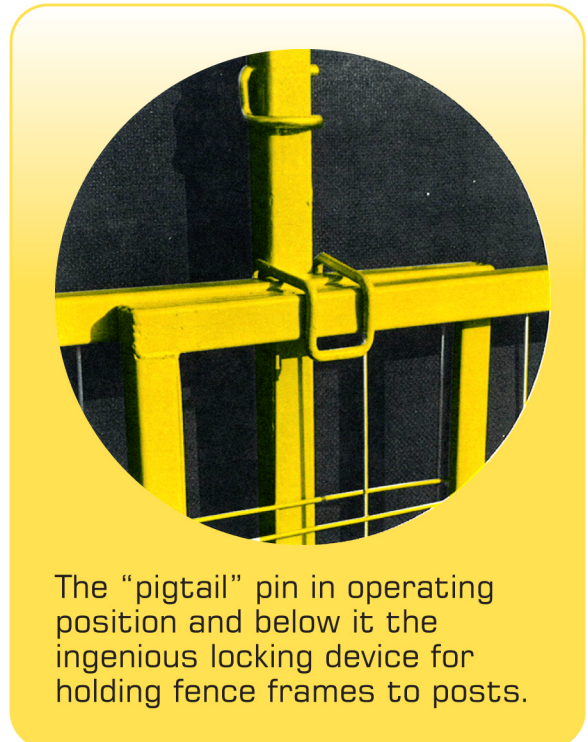
The fence is designed so that there are no sharp edges. The mesh panel is welded into the split tubular frame and the lower six inches is designed to prevent any object greater than 1.5" passing through.

The telescoping spring-loaded steel post has a square section base and the top is round allowing ease of adjustment and excellent strength where available. The adjusting "pigtail" pin also doubles as a shipping pin to prevent separation of upper and lower sections.

Engineers' test reports are available which show greater strength in fence and increased safety in posts against lateral pressure due to a combination of strong tubing, heavy duty spring and special composition (shell craton) pads on top and bottom of posts. Reports indicate more than 50% increase strength.



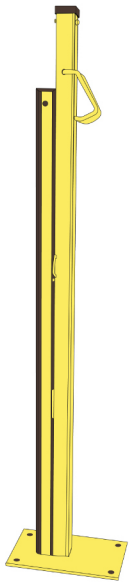
FENCE POST



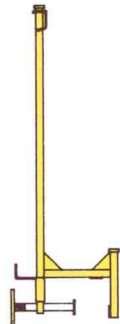
The "pigtail" pin in operating position and below it the ingenious locking device for holding fence frames to posts.



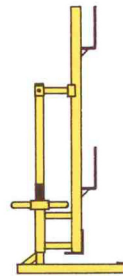
SKYWAY "SAFE-TEE" FENCE & POST SYSTEM



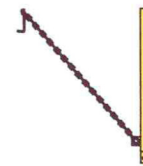
SLAB ANCHOR POST



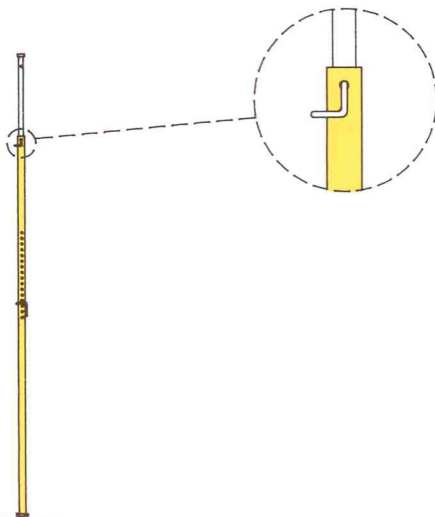
CURB POST



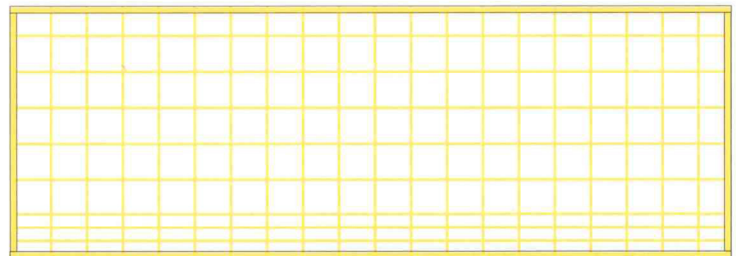
SLAB EDGE POST



COMPRESSION TOOL



FENCE POST (COMPRESSION POST)



FENCE

CODE #	DESCRIPTION
700 - 02	CURB POST
700 - 03	GM FENCE POST
700 - 05	SLAB EDGE POST
700 - 06	SLAB ANCHOR POST
700 - 10	FENCE 10'1"L X 3'6"H
700 - 57	FENCE 5'7"L X 3'6"H
700 - 57-G	FENCE 5'7"L X 3'6"H GALVANIZED
700 - 36-G	FENCE 3'6"L X 3'6"H GALVANIZED
700 - 89	FENCE POST 8' - 8'11"
700 - 8392	FENCE POST 8'3" - 9'2"
700 - 9106	FENCE POST 9' - 10'6"



SKYWAY "SAFE-TEE" FENCE & POST SYSTEM

INSTALLATION INSTRUCTIONS

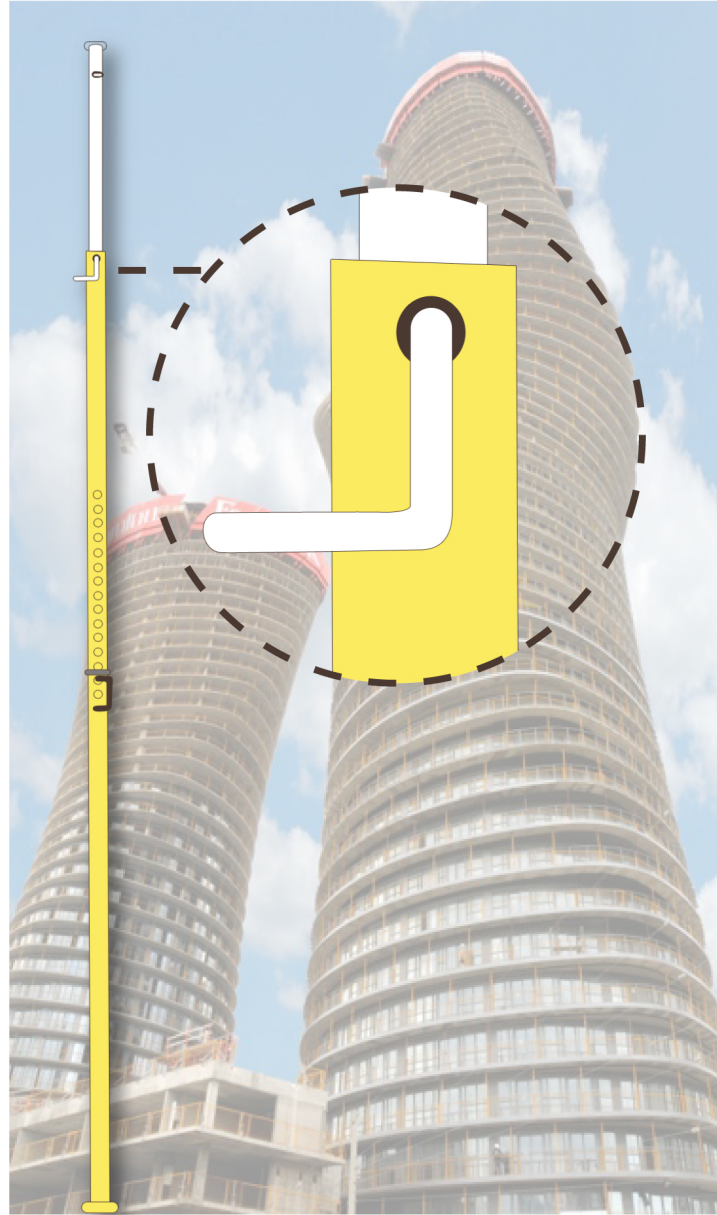
COMPRESSION POST

(700-89 700-9106 700-8392)

NOTE: Your application of this product must comply with the Construction Regulation.

1. Put on fall protection equipment and tie off.
2. Look to see that no one is below you.
3. Clear snow, ice, mud and debris from the installation area.
4. Both ends of the post must be placed on clean concrete.
5. Any other surface must be approved in writing by Skyway Canada Limited.
6. In Ontario, posts must be placed within 300 mm of the edge.
7. Use the correct post for the floor to ceiling height.
8. Set the post lock clip to provide at least 32 mm of compression.
9. Do not place any material between the end of the post and the concrete.
10. Use the compression tool provided to compress and place the post.
11. Ensure the post is vertical and release the compression tool.
12. Do not modify the post.
13. Follow these instructions.

*Also see fence placement instructions.





SKYWAY "SAFE-TEE" FENCE & POST SYSTEM

INSTALLATION INSTRUCTIONS

SLAB EDGE POST (700-05)

NOTE: Your application of this product must comply with the Construction Regulation.

1. Put on fall protection equipment and tie off.
2. Look to see that no one is below you.
3. Clear snow, ice, mud and debris from the installation area.
4. Adjust the post clamp to the approximate thickness of the concrete slab.
5. Place the post on the edge of the concrete slab.
6. Bring the post in tight to the concrete slab.
7. Tighten the clamp.
8. Do not modify the post.
9. Follow these instructions.

*Also see fence placement instructions.

CURB POST (700-02)

NOTE: Your application of this product must comply with the Construction Regulation.

1. Put on fall protection equipment and tie off.
2. Look to see that no one is below you.
3. Clear snow, ice, mud and debris from the installation area.
4. Adjust the post clamp to the approximate thickness of the concrete slab.
5. Place the post firmly on the concrete curb.
6. Tighten the clamp.
7. Do not modify the post.
8. Follow these instructions.

*Also see fence placement instructions.





SKYWAY "SAFE-TEE" FENCE & POST SYSTEM

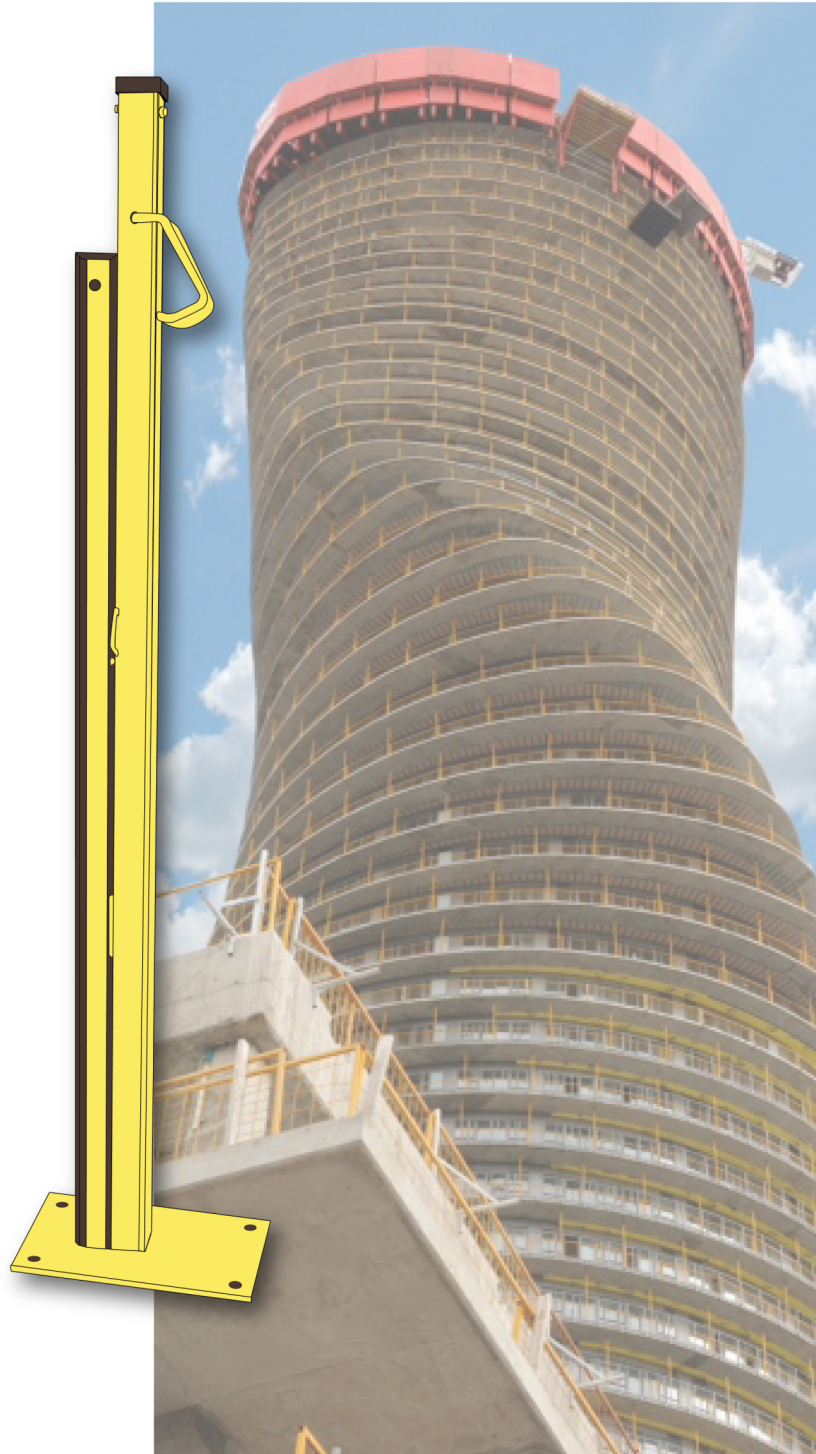
INSTALLATION INSTRUCTIONS

SLAB ANCHOR POST (700-06)

NOTE: Your application of this product must comply with the Construction Regulation.

1. Put on fall protection equipment and tie off.
2. Look to see that no one is below you.
3. Clear snow, ice, mud and debris from the installation area.
4. In Ontario, posts must be placed within 300 mm of the edge.
5. Face the post away from the edge.
6. Do not place any material between the post and the concrete.
7. Mark the bolt holes; remove the post.
8. Put on safety glasses.
9. Use a Red Head 3/8" concrete anchor catalogue number JS-38C or LDT-3824. An alternative anchor may be used when approved in writing by a professional engineer.
10. Drill the bolt holes as per manufacturer's instructions.
11. Clear the bolt holes and place the post.
12. Insert all 4 bolts with washers, thumb tight.
13. Tighten down the bolts.
14. Do not modify the post.
15. Follow these instructions.

*Also see fence placement instructions.





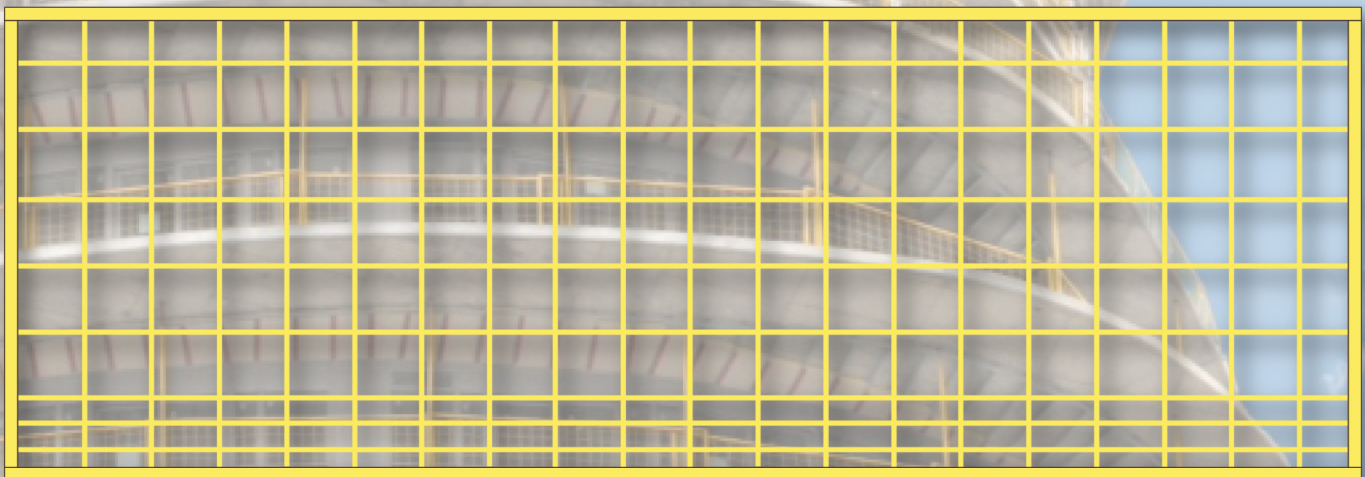
SKYWAY “SAFE-TEE” FENCE & POST SYSTEM

INSTALLATION INSTRUCTIONS

FENCE PLACEMENT (700-57 700-10)

NOTE: Your application of this product must comply with the Construction Regulation.

1. Put on fall protection equipment and tie off.
2. Look to see that no one is below you.
3. Broom clean the installation area.
4. Each fence panel must extend 150mm laterally beyond the post.
5. 2.7m is the maximum distance between posts for a 700-10 fence panel.
6. 1.4m is the maximum distance between posts for a 700-57 fence panel.
7. With the toeboard down bring the fence panel to the post, keeping the fence panel between you and the concrete slab edge.
8. Put the post lock clip on the fence panel(s).
9. Do not modify the fence.
10. Follow these instructions.





www.skywaycanada.ca

If you have any questions concerning these products or the installation instructions, contact us at info@skycan.ca