





## SYSTEM SCAFFOLD

### Products and Services

#### System Scaffolding

- 4 basic components provide a complete scaffold solution
- System design improves safety through simplicity and exact fit of components
- Speeds erection & dismantle times while providing superior flexibility and safety
- System versatility allows for almost any shape or form
- Fewer separate fittings or loose parts improves productivity, cost-effectiveness and safety



#### Stairways

- 10-leg design assembles quickly and easily
- Compact footprint allows for easy placement
- Stair treads have self-cleaning, anti-slip treads for improved safety
- Full selection of planks and decks with trap doors etc.



#### E & D Services

- Turnkey solutions providing design, erection & dismantle services, site inventory control and more
- On-site labour, supervision & support
- Competitive rates and superior safety and experience lowers overall cost of project
- Detailed reports of labour, equipment, time logs and more



#### Technical Services

- On-site technical support and training
- Custom design /equipment services
- Approved engineering drawings for safety
- Safety training and refresher courses offered



#### System Scaffold

by Skyway Canada is a precision manufactured solution utilizing hi-strength steel, robotically welded and hot-dipped galvanized for a durable, rust resistant finish. The result – superior product quality, safety and longevity that requires little site maintenance, while providing peace of mind.

#### Skyway's System Scaffold is

one of the most advanced, sophisticated and complete modular systems available on the market today. All components are engineered to lock onto the unique rosette for a secure, safe connection. Our system is designed by experienced scaffolders to reduce the number of components, simplify on-site management and installation, while providing flexibility and versatility required to perform the most demanding scaffold situations.

Skyway's System is erected with speed and efficiency that results in lower labour costs and improved productivity and scheduling. It is the fastest and most efficient way of erecting scaffolding to suit all types of structures including refineries, industrial buildings, renovations, special events, accessways, and much more.



## SYSTEM SCAFFOLD

### Renovation/Rehabilitation

The versatility and simplicity of Skyway's system scaffolding is proven time and time again. The more unusual and irregular the shape or angle, the complexity in structural form, or its access, the better to prove the system's versatility. Church Steeples, Building Towers, Clock Towers, Historical Buildings and complex/delicate facades are all easily handled by Skyway's system. Combined with Skyway's extensive expertise in restoration projects, renovation and historical building reclamation, there are few projects that can't be improved by the use of our system scaffold solution.

### Power-Chemical, Pulp & Paper, Offshore, Power Plants

For intricate and complex situations, the modular scaffold solutions provided by Skyway remain the only practical choice for safety and fiscally conscious organizations. The easy to handle modular components can be quickly and easily connected around any structure, piping, walkway, or other difficult structures. The solid and quick connect design of the captive wedge and rosette design provide an added degree of safety when working in difficult areas. There are no bolts left untightened or wedges to fall out, only a secure safe connection each and every time. Cost-effective, safe and versatile, Skyway system scaffolding offers the most efficient way to reach difficult areas fast and safe.

### Special Events

Skyway's system handles all your special event requirements. From grandstands to bleachers, stages to VIP Suites, camera towers and banner hanging, Skyway scaffold solution is the most versatile and cost effective solution for special events. Modular in design, portable and safe, a properly installed structure made by Skyway is capable of withstanding dynamic loads comparable to permanent structures. Fast and easy to install, this system is the ideal and cost effective solution for your special event needs.

### New Construction

Skyway's system is right at home when it comes to new construction requirements. Providing a safe working platform or access to difficult to reach areas, this system is ideal for use by masonry contractors, precasters, and outside cladding contractors. It can be erected in complex areas such as atriums, archways, high ceiling situations and more. Gives glazers, painters, mechanical and electrical contractors and other trades a safe and stable platform to perform their work in timely, cost-saving fashion.



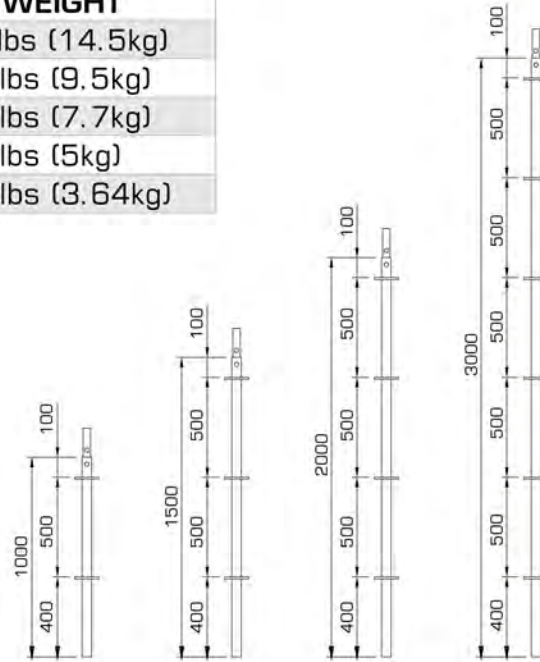
## Features and Benefits

- ▲ **Safety** - All our scaffolding products meet or exceed Canadian safety standards and are rigorously manufactured to ISO 9001-2000 quality standards to ensure our products are of the highest quality.
- ▲ **Speedy E & D** - Our system scaffold is much easier to erect than either tube & clamp or frame scaffolding, resulting in superior job performance each and every time.
- ▲ **Reduced Labour Costs** - It takes only one labourer to erect a tower. Each piece is easily handled by one person and snaps into a secure, safe connection on the rosette.
- ▲ **Lower Transportation / Storage Costs** - Skyway's system scaffold completely knocks down into small bundles, thus allowing more equipment per truck load while reducing yard space for storage as well.
- ▲ **Corrosion Resistant** - All components are hot-dipped galvanized, a superior coating that reduces corrosion and increases equipment life.
- ▲ **Reduced Replacement Cost** - Single components can be replaced instead of entire frames. There are no loose fittings to be lost or misplaced on-site, which can save thousands of dollars when working in harsh environmental conditions where equipment is easily lost in the mud, snow or other jobsite conditions.

## VERTICAL STANDARDS

PART#	DESCRIPTION	WEIGHT
1505 - 30	3.0m Standard (9'10")	32lbs (14.5kg)
1505 - 20	2.0m Standard (6'7")	21lbs (9.5kg)
1505 - 15	1.5m Standard (4'11")	17lbs (7.7kg)
1505 - 10	1.0m Standard (3'3")	11lbs (5kg)
1505 - 05	.5m Standard (1'6")	8lbs (3.64kg)

OTHER SIZES AVAILABLE UPON REQUEST

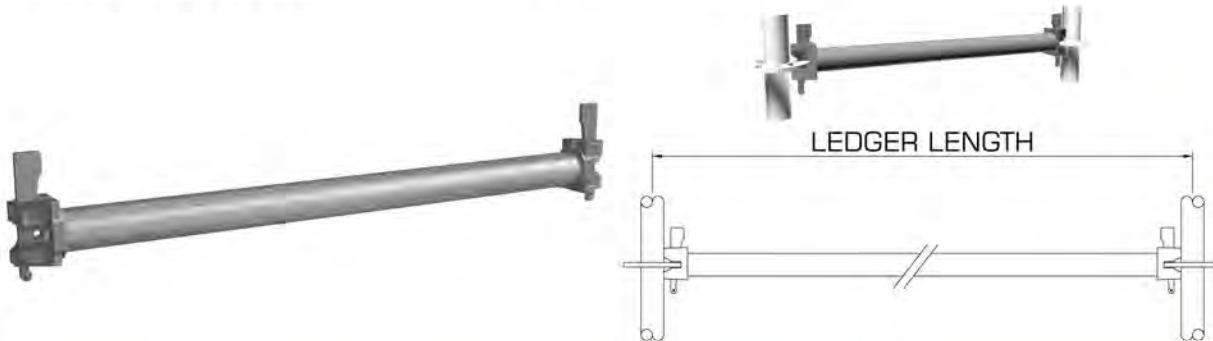


▲ Skyway's Scaffold System is one of the most advanced and reliable modular scaffold systems available today. All components are engineered to lock onto the unique rosette, and the system is designed to minimize the number of components required to perform the most demanding scaffold situations.

## HORIZONTAL LEDGERS

PART#	DESCRIPTION	WEIGHT
1506 - 10	Single Ledger 10'0" (3.05m)	25.4lbs (11.6kg)
1506 - 07	Single Ledger 7'0" (2.13m)	18.3lbs (8.3kg)
1506 - 05	Single Ledger 5'2" (1.57m)	14.2lbs (6.45kg)
1506 - 310	Single Ledger 3'10" (1.15m)	10.6lbs (4.82kg)
1506 - 36	Single Ledger 3'6" (1.07m)	10lbs (4.55kg)
1506 - 210	Single Ledger 2'10" (0.86m)	8lbs (3.6kg)
1506 - 22	Single Ledger 2'2" (0.65m)	7lbs (3.18kg)

OTHER SIZES AVAILABLE UPON REQUEST



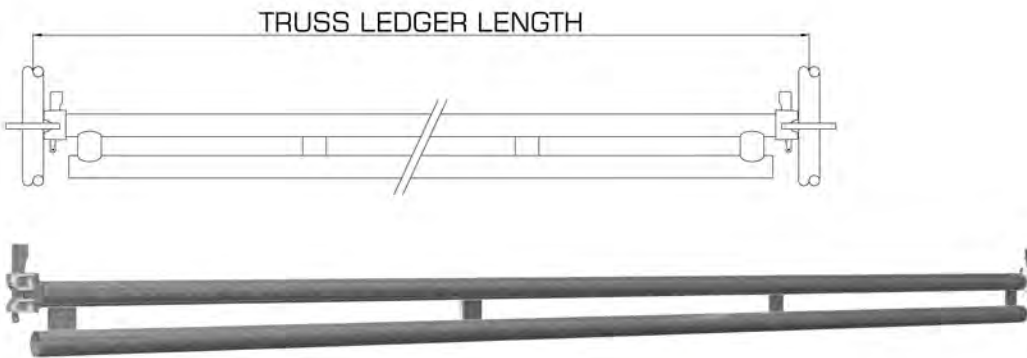
▲ Standards have rosettes spaced at 19 1/2" (50cm) intervals and allow for up to eight secure connections in right, acute or obtuse angles on the same level.

▲ Ledgers are supplied with wedge action joints at both ends for quick, rigid and safe connections. With a captive wedge design, lost wedges become a thing of the past.

## TRUSS LEDGERS

PART#	DESCRIPTION	WEIGHT
1591 - 10	10'0" (3.05 m)	50lbs (22.7kg)
1591 - 07	7'0" (2.13 m)	35lbs (15.9kg)
1591 - 05	5'2" (1.57 m)	26lbs (11.82kg)
1591 - 310	3'10" (1.15 m)	20lbs (9.1kg)

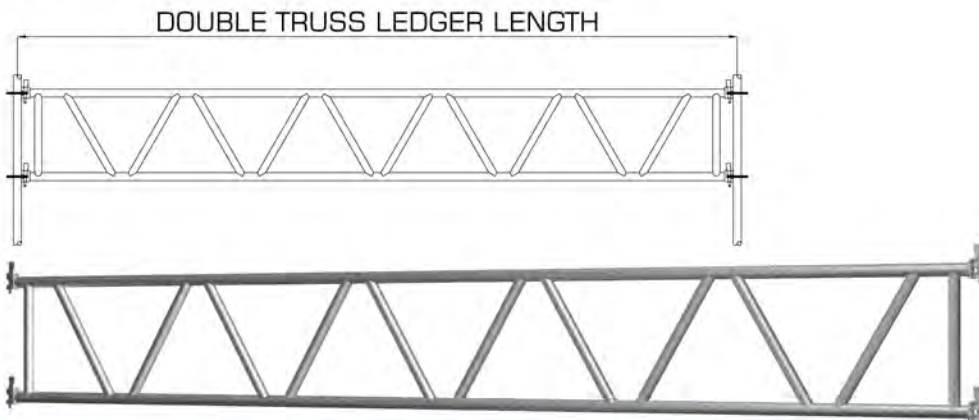
OTHER SIZES AVAILABLE UPON REQUEST



## DOUBLE TRUSS LEDGERS

PART#	DESCRIPTION	WEIGHT
1592 - 28	28'0" (8.52 m)	220lbs (100kg)
1592 - 21	21'0" (6.39 m)	160lbs (73kg)
1592 - 17	17'0" (5.18 m)	136lbs (62kg)
1592 - 14	14'0" (4.26 m)	116lbs (52 kg)
1592 - 12	12'0" (3.66 m)	88lbs (40 kg)
1592 - 10	10'0" (3.05 m)	80lbs (36.4kg)
1592 - 07	7'0" (2.13 m)	55lbs (25kg)

OTHER SIZES AVAILABLE UPON REQUEST



### ▲ Safe

The unique design of the rosette and captive wedge components provide a fast and safe way of ensuring a proper and safe connection. With the positive lock joints at any position of the rosette, it takes only one person and a hammer to ensure safe and secure connections. When the wedge is driven in place, both the friction and gravitational forces present maintain a strong, secure connection. Furthermore, dismantling is simplified and improved safety is ensured by the captive wedge design.

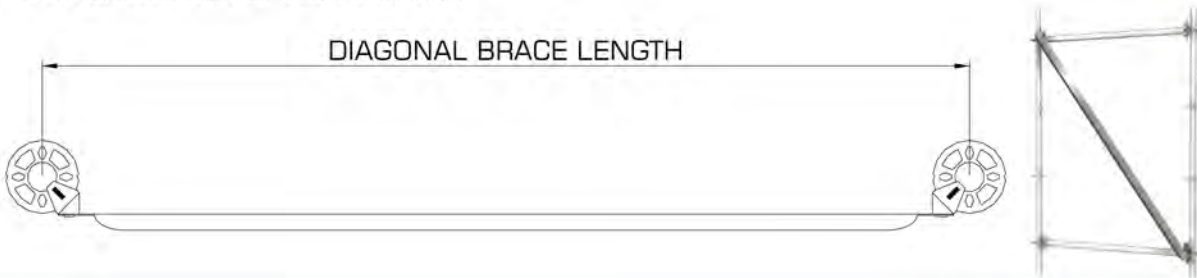
### ▲ Economical

This solution cuts labour costs dramatically through speed and ease of erection and dismantle. The modularity of the system and the absence of loose fittings such as nuts, bolts or clamps simplifies set-up. All components are pre-measured and pre-engineered to reduce jobsite confusion, number of components and construction time.

## BAY BRACES

PART #	HORIZONTAL RUN	ACTUAL LENGTH	WEIGHT
1509-2-10	10'0" (3.05 m)	11'8 $\frac{1}{4}$ " (3.56 m)	23.4lbs (10.6kg)
1509-2-07	7'0" (2.13 m)	9'4 $\frac{1}{8}$ " (2.85 m)	19.5lbs (8.9kg)
1509-2-05	5'2" (1.57 m)	8'1 $\frac{11}{16}$ " (2.48 m)	17.2lbs (7.84kg)
1509-2-310	3'10" (1.15 m)	7'4 $\frac{7}{8}$ " (2.26 m)	16.25lbs (7.39kg)
1509-2-22	2'2" (0.65 m)	6'9 $\frac{5}{8}$ " (2.07 m)	15.25lbs (6.93kg)

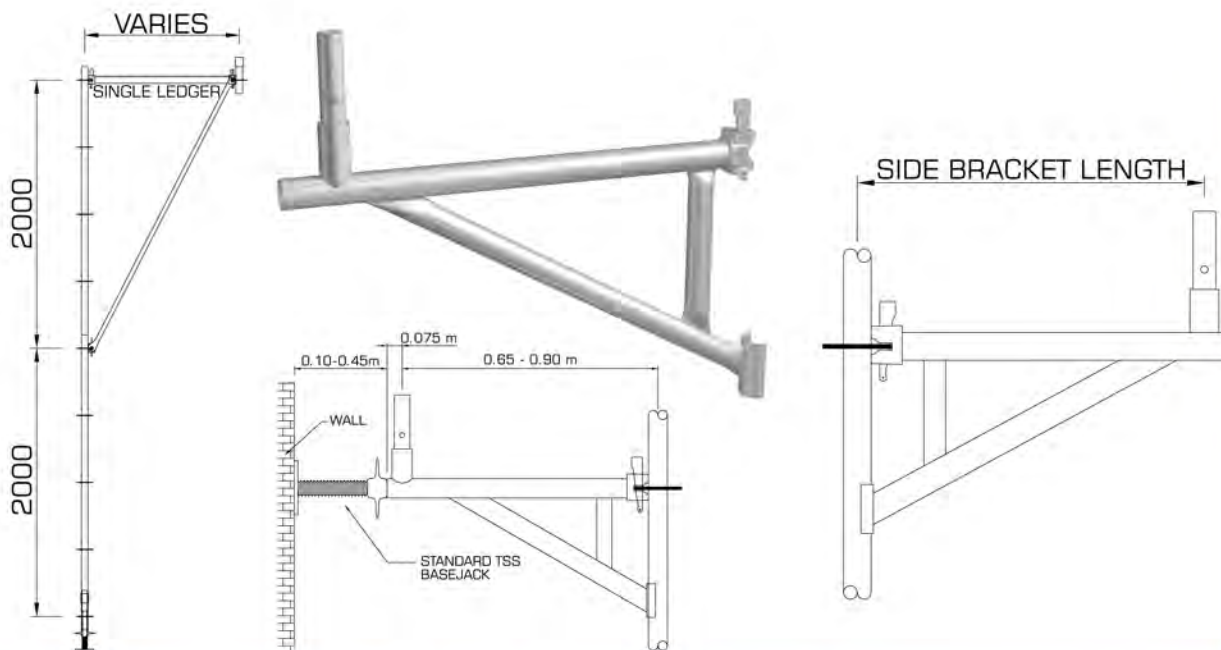
BAY BRACES ARE DESCRIBED BY THE HORIZONTAL RUN OR THE SAME AS THE LEDGER THEY WORK WITH. THE RISE ON ALL STANDARD BAY BRACES IS 6'6" (2.0m)



## SIDE BRACKET

PART #	DESCRIPTION	LENGTH	WEIGHT
1550-310	FOUR PLANK	3'10" (1.17 m)	26.5lbs (12kg)
1550-22	TWO PLANK	2'2" (0.66 m)	15.3lbs (7kg)
1550-14	ONE PLANK	1'4" (0.40 m)	6.88lbs (3.13kg)
1550-24x36	ADJUSTABLE	24"-36" (0.61-0.91m)	35lbs (15.9kg)

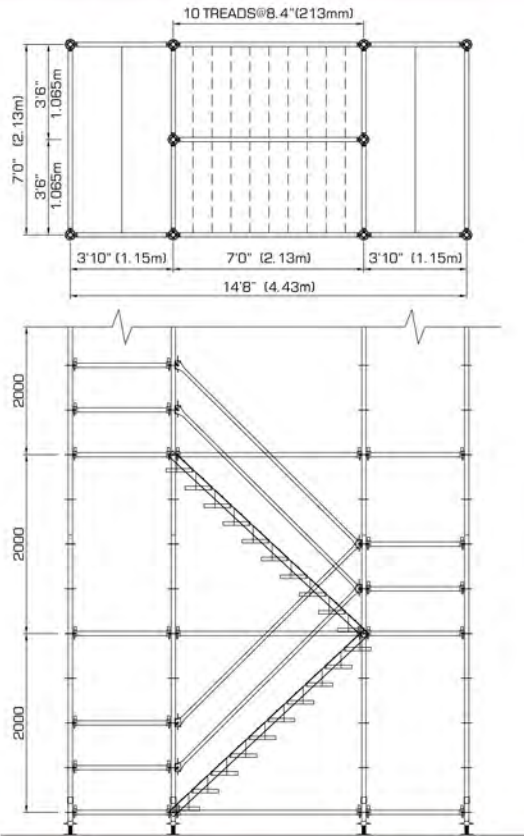
LARGER BRACKETS CAN BE MADE USING STANDARD COMPONENTS OF LEDGERS, BASE COLLARS AND BAY BRACES (OTHER SIZES AVAILABLE UPON REQUEST)



**Versatile**  
The unique design of Skyway's System Scaffold allows it to be used in almost any situation imaginable. The flexibility of set-up and the knockdown capability of the components are perfectly suited for interior / exterior of tanks, refineries, renovation work, hanging scaffold solutions, special event camera stands, grandstand seating and more.

# STAIRWAYS

## STAIRWAY (7' BAY) 10 LEG DESIGN



## STAIR THREADS

PART #	WIDTH	LEDGER	WEIGHT
1549-32	32" (.81m)	3'6" (1.07m)	17lbs (7.73kg)

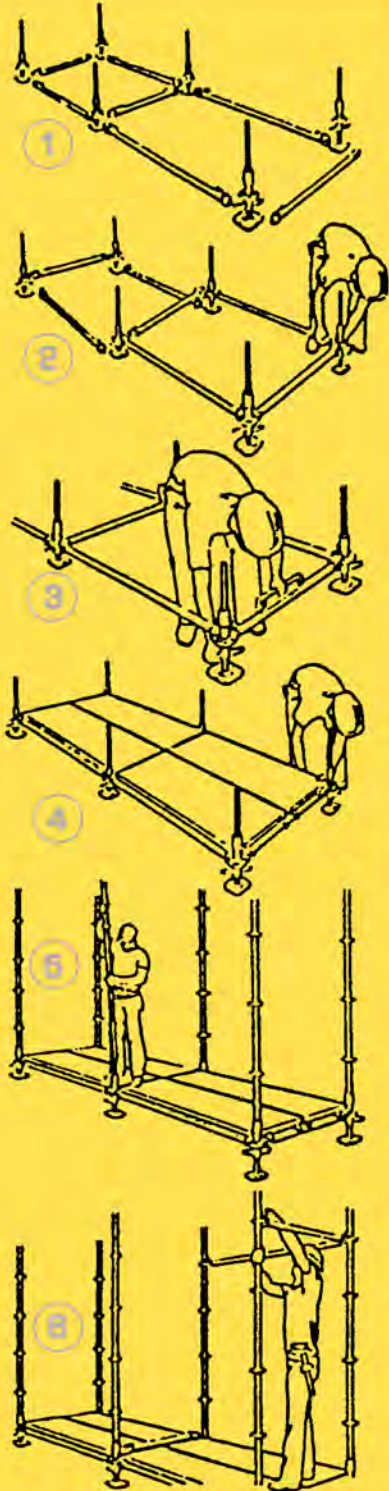
## STAIR STRINGER

PART #	SIZE	WEIGHT
1549-27	7' (2.13m)	46lbs (20.91kg)
1549-17	3'6" (1.07m)	25lbs (11.36kg)

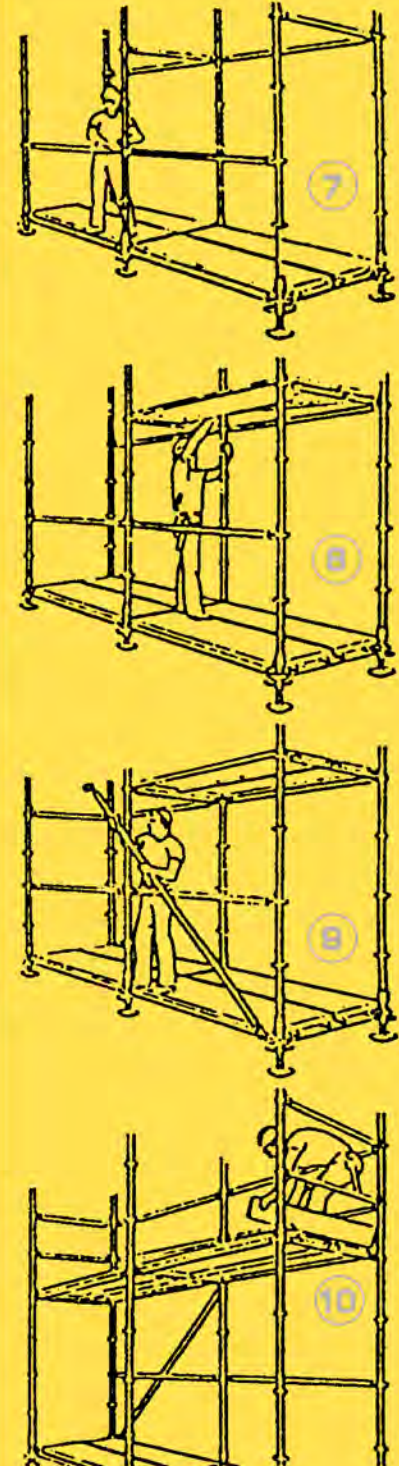


**Adaptable**  
With a full complement of sturdy accessories, the System Scaffold solution can be adapted to work in almost all scaffold situations. Planks, decks, bay bracing, outriggers, stairways, wall-ties, swing gates and much more. Everything you need to safely gain access is available from one reputable supplier who has been safely supporting our customers since 1967.

# SYSTEM SCAFFOLD ERECTION PROCEDURE



1. Fit adjustable bases with collars and lay out roughly in position with their corresponding ledgers. Pick the highest ground level for a setting out point to simplify later adjustment. It helps if the screw jack is near (not on) the bottom of the thread by allowing maximum adjustment on lower ground levels.
2. Connect the ledgers to the rosette on the collar of the adjustable base.  
**DO NOT DRIVE HOME THE WEDGES AT THIS STAGE.**
3. Using a spirit level, adjust the bases so that the ledgers are horizontal. Accuracy in leveling at this stage eliminates the need for further leveling and plumbing as the scaffolding is erected.
4. Place two aluminum planks or four 255mm (10") wide boards in each bay spanning the ledgers to square up the system. Move progressively around the base of the scaffolding. When squared and level drive home the wedges.
5. When basing out is completed, the first standards are positioned into the collar of the base.
6. Ledgers can now be placed at the required levels.
7. Handrails are automatically positioned.
8. Planks are now moved up to the first lift, decking out fully if this is to be a working platform.
9. Fix diagonal braces across the face of the bays. Hammer wedges home.
10. The scaffolding is completed by adding ledger midrails, handrails and toe boards on the working platform.





## SYSTEM ACCESSORIES

### SWING-GATE

<b>PART #</b>	1560-GATE
<b>SIZE</b>	3'6" (1.07 m)
<b>WEIGHT</b>	20lbs (9.1kg)



### MULLEN CLAMP

<b>PART #</b>	1540-29
<b>SIZE</b>	2" (50.8mm)
<b>WEIGHT</b>	2lbs (0.91kg)



### WALL MOUNT ROSETTE

<b>PART #</b>	1540-28
<b>SIZE</b>	6'6" (1.98 m)
<b>WEIGHT</b>	2.5lbs (1.13kg)



### ROSETTE CLAMP

<b>PART #</b>	1540-27
<b>WEIGHT</b>	1.5lbs (0.68 kg)



### CASTOR WITH JACK

<b>PART #</b>	1530-08
<b>SIZE</b>	8" (0.20 m)
<b>WEIGHT</b>	15lbs (6.8kg)



### BASE COLLAR

<b>PART #</b>	1505-04
<b>WEIGHT</b>	4lbs (1.81 kg)



### SPIGOT ADAPTOR

<b>PART #</b>	1507-07
<b>WEIGHT</b>	4lbs (1.81 kg)



### CASTOR WHEELS

<b>PART #</b>	1530-38
<b>SIZE</b>	8" (0.20 m)
<b>WEIGHT</b>	13lbs (5.9kg)
<b>CAPACITY:</b> Stationary	2200lbs (1000kg)
<b>CAPACITY:</b> Rolling	1100lbs (500kg)



### ADAPTOR CLAMPS

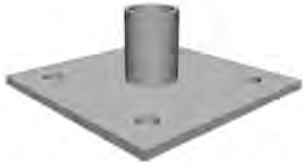
PART #	DESCRIPTION	WEIGHT
1540-26	(RA) Wedge	2.9lbs (1.3kg)
1541-26	(SW) Wedge	2.9lbs (1.3kg)



## FRAME ACCESSORIES

### BASE PLATES

PART #	SIZE	WEIGHT
187-04	6"x6" (.15x.15m)	2lbs (0.91kg)



### SWIVEL-BASE PLATE

PART #	SIZE	WEIGHT
187-02	6"x6" (.15x.15m)	2.5lbs (1.14kg)



### LOCK PIN

PART #	WEIGHT
107-14	.25lbs (0.11kg)



## COMMON ACCESSORIES

### LADDERS & STARTER BRACKETS

PART #	SIZE	WEIGHT
1542-03	17"x3' (.04mx0.91m)	15lbs (6.82kg)
1542-05	17"x5' (.04mx1.52m)	22.5lbs (10.23kg)



### STARTER BRACKET

PART #	WEIGHT
1542-10	8lbs (3.63kg)



### RA BEAM CLAMP

PART #	WEIGHT
402-00	4lbs (1.81kg)



### "U" CLAMP comes with T-Bolts

PART #	WEIGHT
865-99	1.5lbs (0.68kg)



## COMMON ACCESSORIES

### SWIVEL WEDGE CLAMP

PART #	DESCRIPTION	WEIGHT
412-02-WDG	Clamp 2x2 SWW	3.6lbs (1.63kg)



### RIGHT ANGLE WEDGE CLAMP

PART #	DESCRIPTION	WEIGHT
402-02-WDG	Clamp 2x2 RAW	3.3lbs (1.50kg)



### TOE BOARD CLAMP

PART #	WEIGHT
1569-11-WDG	4lbs (1.81kg)



### RIGHT ANGLE BOLT CLAMP

PART #	WEIGHT
405-25	4lbs (1.81kg)



### END TO END CONNECTOR CLAMP

PART #	WEIGHT
422-01-WDG	2.5lbs (1.14kg)



### SWIVEL BOLT CLAMP

PART #	WEIGHT
415-25	4lbs (1.81kg)



### 1.9" O.D. ALUMINUM TUBE

PART #	LENGTH	WEIGHT
418-LENGTH	2'-20' (.30-6.1m)	1lbs/ft (.45 kg/m)



### SYSTEM BASKET

PART #	SIZE	WEIGHT
1504-18	36"x36"x25"h (.91x.91x.63m)	80lbs (36.29 kg)





## COMMON ACCESSORIES

### SWIVEL JACK

PART #	SIZE	WEIGHT	ADJUSTMENT
1580-26	6"x6"x24" (.15x.15x.6m)	15lbs (6.8kg)	18" (0.457m)



### SYSTEM RACK

PART #	SIZE	WEIGHT
1504-01	36"x36"x25"h (.91x.91x.63m)	45lbs (20.41 kg)



### BASE JACK

PART #	SIZE	WEIGHT	ADJUSTMENT
180-25-TOT	6"x6"x24" (.15x.15x.6m)	15lbs (6.8kg)	18" (0.457m)



### ALUMINUM BEAM

PART #	LENGTH	SIZE	WEIGHT
865-LENGTH	3'-32' (1.8-7.3m)	6.5" (0.16m)	4lbs/ft (1.82kg/m)
875-LENGTH	4'-24' (3.6-6.4m)	7.25" (0.19m)	4.25lbs/ft (1.93kg/m)



### BEAM CLIP & "T" BOLT

PART #	WEIGHT
865-00	.36lbs (0.16kg)



## ALUMINUM PLYDECKS

### ALUMINUM PLYDECK

PART #	WIDTH	LENGTH	WEIGHT
594-10x28	28" (711mm)	10' (3.05m)	53lbs (24kg)
594-10	19" (490mm)	10' (3.05m)	44lbs (20kg)
594-08	19" (490mm)	8' (2.438m)	38lbs (17kg)
594-07x28	28" (711mm)	7' (2.13m)	35lbs (16kg)
594-07	19" (490mm)	7' (2.13m)	32lbs (15kg)
594-052	19" (490mm)	5'2" (1.574m)	22lbs (10kg)
594-310	19" (490mm)	3'10" (1.168m)	18lbs (8kg)

OTHER SIZES AVAILABLE UPON REQUEST  
SAFE WORKING LOAD  
3.60 kN/m<sup>2</sup> (75lbs/ft<sup>2</sup>)



### ALUMINUM PLYDECK WITH TRAPDOOR

PART #	WIDTH	LENGTH	WEIGHT
594-10-28-H	28" (711mm)	10' (3.05m)	54lbs (24kg)
594-07-28-H	28" (711mm)	7' (2.13m)	36lbs (16kg)

OTHER SIZES AVAILABLE UPON REQUEST  
SAFE WORKING LOAD  
3.60 kN/m<sup>2</sup> (75lbs/ft<sup>2</sup>)



### GALVANIZED STEEL TOP DECK

PART #	WIDTH	LENGTH	WEIGHT
594-10-GD	19" (490mm)	10' (3.05m)	50lbs (23kg)
594-08-GD	19" (490mm)	8' (2.438m)	41lbs (19kg)
594-07-GD	19" (490mm)	7' (2.13m)	35lbs (16kg)
594-052-GD	19" (490mm)	5'2" (1.574m)	20lbs (9kg)
594-310-GD	19" (490mm)	3'10" (1.168m)	18lbs (8kg)

OTHER SIZES AVAILABLE UPON REQUEST  
SAFE WORKING LOAD  
3.60 kN/m<sup>2</sup> (75lbs/ft<sup>2</sup>)



### STEEL PLANK WITH HOOKS (9.5" WIDE)

PART #	LENGTH	WEIGHT
596-10x95	10' (3050m)	43lbs (20kg)
596-07x95	7' (2130m)	31lbs (14kg)
596-052x95	5'2" (1572m)	24lbs (11kg)
596-310x95	3'10" (1150m)	19lbs (9kg)
596-22x95	2'2" (650m)	12lbs (5kg)

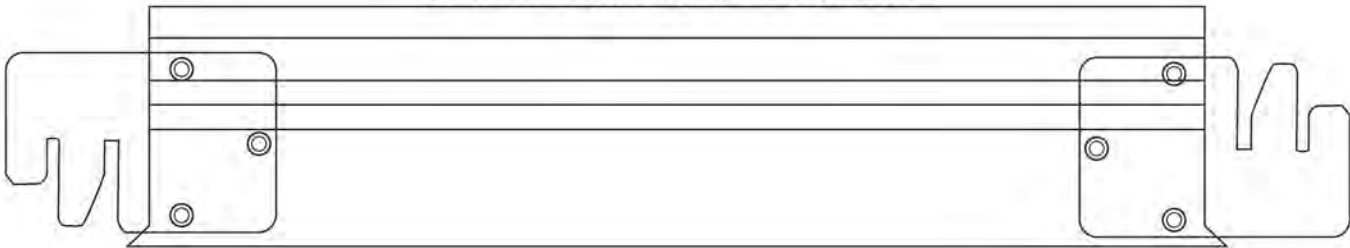
SAFE WORKING LOAD  
2.30 kN/m<sup>2</sup> (50lbs/ft<sup>2</sup>)



## TOEBOARDS

- Manufactured from Pre galvanized material
- 14 gauge corrosion resistant
- Simple-safe connection to wedge head
- Modular sizes to suit scaffold dimensions
- Design reduces gap between plank and ledger
- Standard 6" height
- Ideal for working platforms in chemical plants and industrial installations

TOEBOARD WITH INTERLOCKING ENDS



PART #	SIZE	FINISH	WEIGHT
1569-10	10'0" (3.050m)	Pre HDG	24.6lbs (11.2kg)
1569-07	7'0" (2.130m)	Pre HDG	16.8lbs (7.6kg)
1569-052	5'2" (1.572m)	Pre HDG	12.1lbs (5.5kg)
1569-310	3'10" (1.150m)	Pre HDG	8.6lbs (3.9kg)
1569-36	3'6" (1.065m)	Pre HDG	7.8lbs (3.5kg)
1569-22	2'2" (0.650m)	Pre HDG	4.3lbs (2.0kg)

OTHER SIZES AVAILABLE UPON REQUEST



[www.skywaycanada.ca](http://www.skywaycanada.ca)

For more information contact us at  
[info@skycan.ca](mailto:info@skycan.ca)



**SOLUTIONS YOU CAN TRUST • Safely Supporting Our Customers Since 1967**