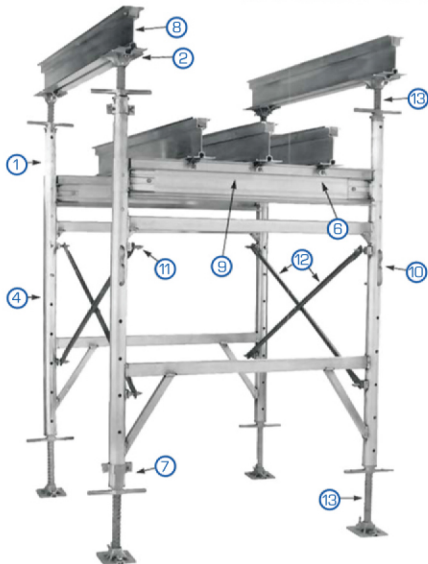




SKYWAY 12 Kip Aluminum Shoring System

SUPERIOR BENEFITS

- 12K aluminum shoring frames can be handled easily by one worker
- 1/2 the weight of comparable steel frames (12 Kip aluminum frames weigh as little as 19.8lbs. (9kg) for a 4' x4' (1200mm x 1200mm) frame)
- Supports up to 10886 kg (24,000 lbs.) per frame
- Especially useful for below slab construction where man-handled frames are easier to use than steel frames and no crane is required



1. Extension Tubes
2. Extension Tube Plate
3. U-Heads (not shown)
4. Frame Legs
5. Frame Coupling Pin (not shown)
6. Beam Clip with T-Head Bolt
7. Retaining Clamp
8. Aluminum Beam Stringer or Joist
9. Saddle Beam
10. Extension Tube Support Pin (U-Pin)
11. Jet Locks
12. Cross Braces
13. Screw Jack - Swivel or Fixed Base

OTHER LABOUR SAVING FEATURES

- Skyway's 12 Kip aluminum frames are easy to maintain and won't rust
- A complete shoring system that allows you to use these frames in any situation required. Above grade, below grade, on slopes, ganged together for crane handling etc.
- Full range of extension tubes, saddle beams and accessories provide ultimate versatility

12 Kip Aluminum Shoring Frame Size/Weight Chart

Frame Specifications Height x Width	Part	Weight lbs.	Weight kgs.
1.2m x 1.2m (4'x4')	848-04	27.8	12.7
1.5m x 1.2m (5'x4')	848-05	36.5	16.6
1.8m x 1.2m (6'x4')	848-06	41.9	19.1
2.4m x 1.2m (8'x4')	848-08	55.8	25.3



SKYWAY

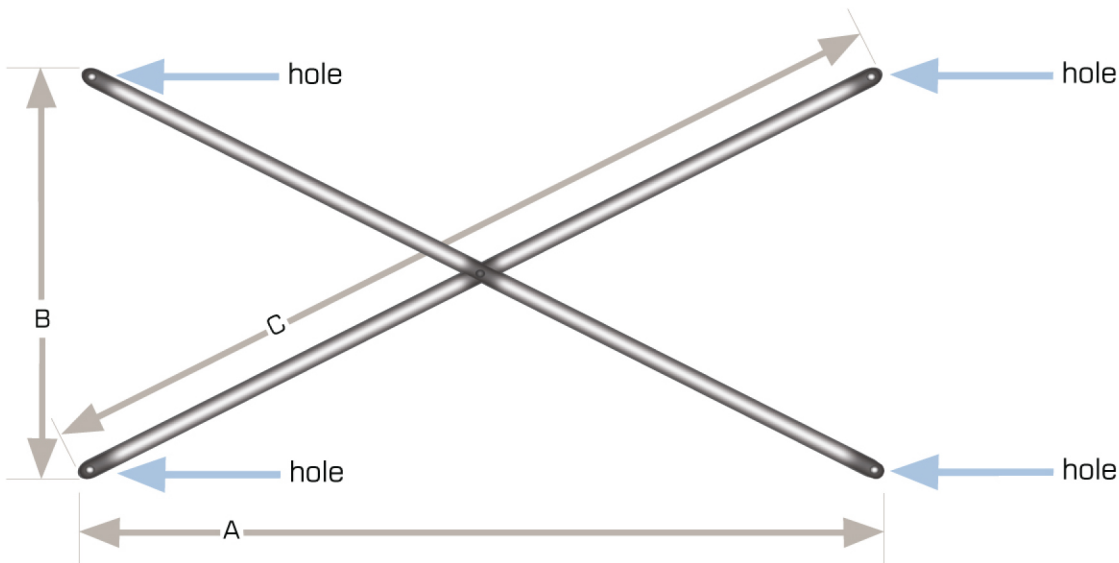
12 Kip Aluminum Shoring System

Much Easier To Handle and Much Lighter

Skyway Canada's 12 Kip Shoring System is a comprehensive shoring solution consisting of 4 standard sizes of frames and a complete range of accessories that include extension tubes, screw jacks, various base/top plates and clamps.

Part No.	Description	Tube		IMPERIAL				METRIC			
		Dia.		A	B	C	Weight	A	B	C	Weight
		(A) x (B)	Inches	mm	Feet	Feet	Inches	Lbs.	mm	mm	mm
109-04x2	4' x 2'	1	25	4	2	53 ⁵ / ₈	6.0	1220	610	1316	2.72
109-04x4	4' x 4'	1	25	4	4	67 ¹³ / ₁₆	7.5	1220	1220	1722	3.40
109-05x2	5' x 2'	1	25	5	2	64 ⁹ / ₁₆	7.2	1524	610	1641	3.27
109-05x4	5' x 4'	1	25	5	4	76 ¹³ / ₁₆	8.5	1524	1220	1951	3.86
109-06x2	6' x 2'	1	25	6	2	75 ⁷ / ₈	8.4	1828	610	1928	3.81
109-06x4	6' x 4'	1	25	6	4	86 ¹ / ₂	9.5	1828	1220	2197	4.31
109-07x2	7' x 2'	1	25	7	2	87 ⁵ / ₁₆	9.6	2134	610	2218	4.35
109-07x4	7' x 4'	1	25	7	4	96 ³ / ₄	10.6	2134	1220	2456	4.81
109-08x2	8' x 2'	1	25	8	2	98 ¹⁵ / ₁₆	10.9	2438	610	2512	4.94
109-08x4	8' x 4'	1	25	8	4	107 ⁵ / ₁₆	11.8	2438	1220	2725	5.35
109-10x2	10' x 2'	1	25	10	2	122 ³ / ₈	13.4	3048	610	3109	6.08
109-10x4	10' x 4'	1	25	10	4	129 ¹ / ₄	14.1	3048	1220	3282	6.40

NOTE: Crossbraces in metric sizes or any other length may be custom-made on request.



For more information contact us at
info@skycan.ca

www.skywaycanada.ca

*All specifications and load information should be confirmed with Skyway prior to use.